

## Installation & Maintenance Information

IF LBL1486

**SAVE THESE INSTRUCTIONS FOR FUTURE REFERENCE**

**⚠ CAUTION** Read carefully before installing and wiring the luminaire. These instructions include information for installation in both standard and inside marine locations. Any warning or special instructions should be closely followed. All luminaires must be properly grounded.

Disconnect the fixture from the supply circuit before opening. Keep closed when in operation. Do not attempt to install this luminaire unless you are familiar with warnings, cautions and procedures outlined in this information sheet.

### INSTALLATION & ELECTRICAL WIRING

**⚠ WARNING** Risk of electrical shock hazard, only qualified personnel should conduct this procedure! Do not make electrical connections with the power ON. Refer to fixture nameplate for minimum supply wire rating. The FT Series fixtures are provided with 1/2" and 3/4" knock out for wiring. Installer must use proper electrical fittings to maintain dripproof integrity.

1. Place fixture (0A) inside 2x2 or 2x4 T-Bar ceiling grid. See fixture illustration below for detail dimensions.

**⚠ CAUTION** Due to weight of fixture, it may be necessary to support fixture with cable or drop rods (not provided).

**NOTE:** Large 2x4 fixture can weigh up to 35 lbs.

2. Fixture can be supported by 4 tabs (9D) on top surface. Bend tabs (9D) with small screwdriver.

3. Route steel cable thru tabs or attach to drop rods.

4. Open lens frame door (1B). Remove side cover (3A).

5. For direct (Dead End) wiring, open access cover (5B).

6. For in-line wiring, break desired knock out (8A), 1/2" or 3/4" opening.

7. Select electrical fitting and route wires thru fitting and into fixture.

**⚠ WARNING** See nameplate for voltage & frequency requirements! Maximum 4 mm<sup>2</sup> (12 AWG) wires.

8. Connect wires to terminal block (4E).

See wiring diagram below. Connect L1 or hot lead to L1.

Connect L2 or neutral to N.

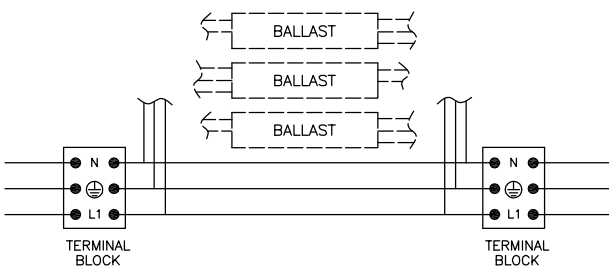
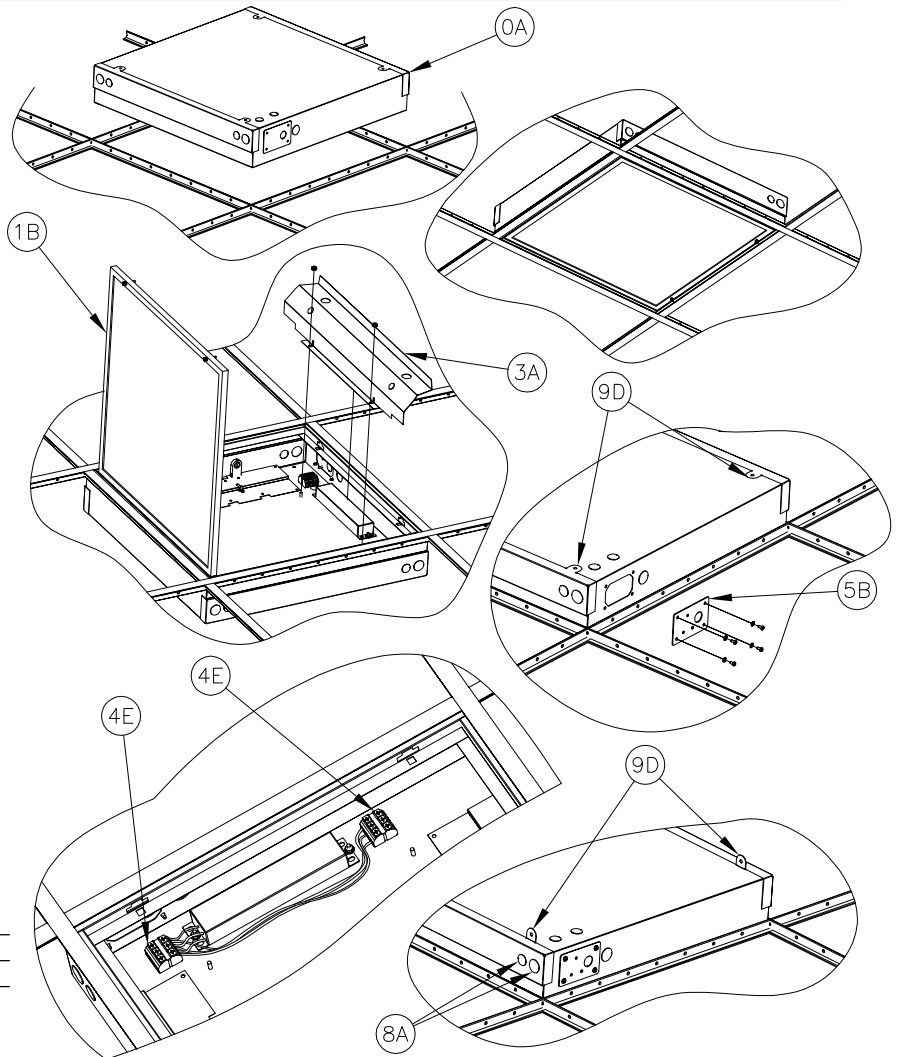
Connect ground wire to ground ⊕.

9. Replace access cover (5B).

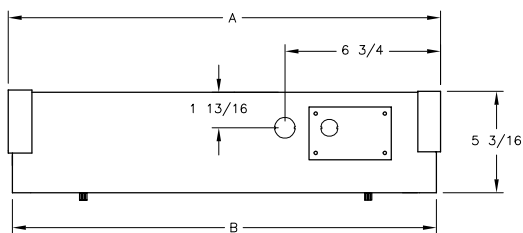
10. Replace side cover (3A).

11. Install lamps.

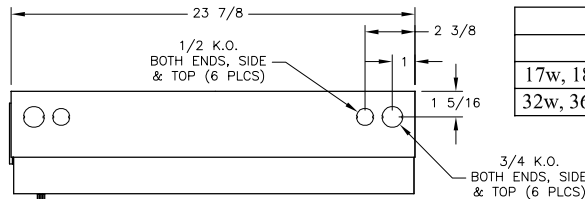
12. Close lens frame door (1B).



WIRING DIAGRAM



SIDE VIEW



END VIEW

Mounting Dimensions		
Wattage	A	B
17w, 18w, 20w, 24w, 35w	24.12	23.75
32w, 36w, 40w, 54w, 60w	48.12	47.75

All statements, technical information and recommendations contained herein are based on information and tests we believe to be reliable. The accuracy or completeness thereof are not guaranteed. In accordance with Crouse-Hinds "Terms and Conditions of Sale", and since conditions of use are outside our control, the purchaser should determine the suitability of the product for his intended use and assumes all risk and liability whatsoever in connection therewith.