

FLC SERIES FLUORESCENT LUMINAIRES

Installation & Maintenance Information

SAVE THESE INSTRUCTIONS FOR FUTURE REFERENCE

⚠ CAUTION Read carefully before installing and wiring the luminaire. These instructions include information for installation in both standard and inside marine locations. Any warning or special instructions should be closely followed. All luminaires must be properly grounded. Must be installed in accordance with the NEC (National Electrical Code) and all other applicable codes.

Fixtures contain fluorescent ballast having extremely high voltage output. Disconnect the fixture from the supply circuit before opening. Keep closed when in operation. Do not attempt to install this luminaire unless you are familiar with warnings, cautions and procedures outlined in this information sheet.

INSTALLATION & ELECTRICAL WIRING

⚠ WARNING Risk of electrical shock hazard, only qualified personnel should conduct this procedure! Do not make electrical connections with the power ON. Refer to fixture nameplate for minimum supply wire rating. Installer must use proper electrical fittings to maintain drip-proof integrity.

1. Remove fixture from carton, remove lens (2B) by loosening both endcap screws (9C).
2. Remove ballast cover (1C) by loosening screws (9D).
3. Mount fixture in its intended location using minimum 1/4" bolts (not provided).

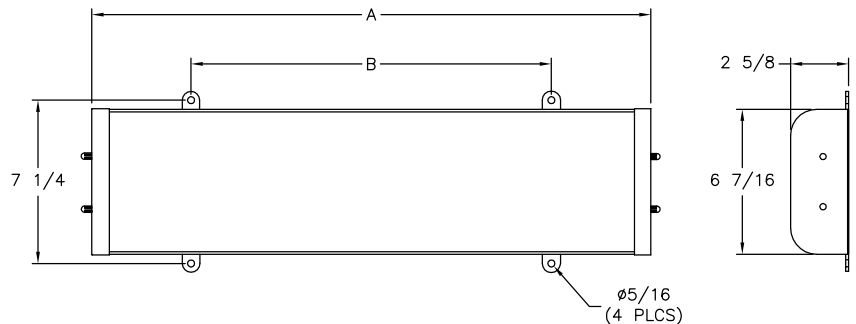
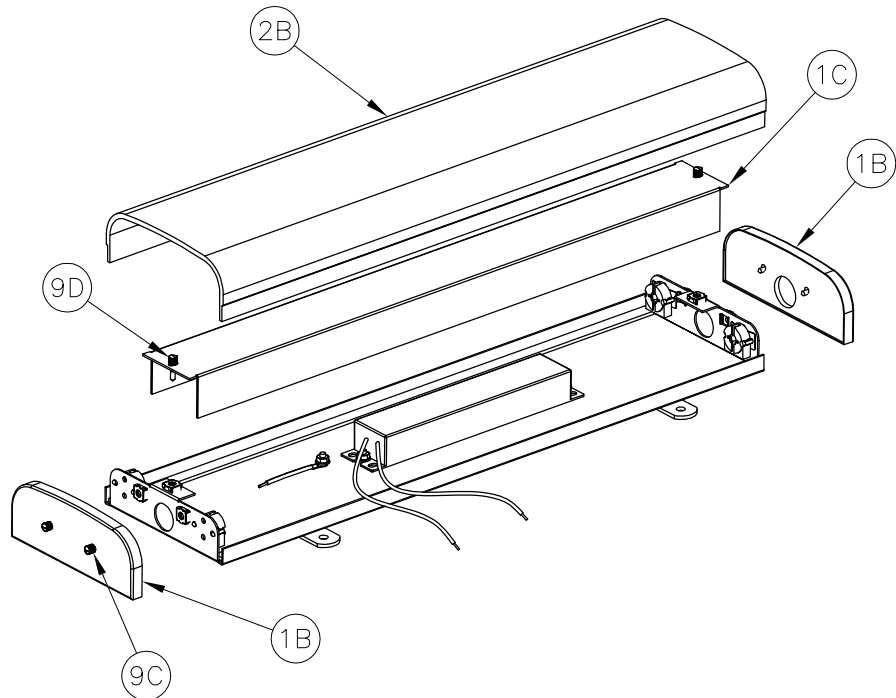
See illustration below for mounting dimensions.

NOTE: This fixture is listed as " Marine Inside Type Drip-proof", consideration should be given when selecting cord grips to insure a drip-proof seal around the cable.

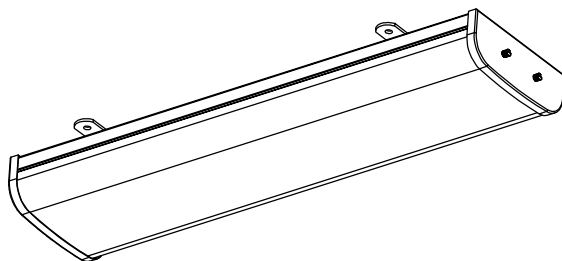
4. Drill cord grip hole through endcap (1B) per instructions furnished with cord grip (not provided). Clean all foreign material.

⚠ CAUTION See product label for voltage input and amperage load per fixture. Use only approved electrical type splices. Route wires away from fluorescent ballast when feeding cables through fixture.

5. Cables should be stripped back approx. 6" - 10" to allow individual wires to flex.
6. Install cord grip (not provided) per instructions furnished with cord grip.
7. Route cable in through cord grip and secure seal on cable jacket.
8. Connect L1 (Hot) lead to the black fixture wire.
9. Connect L2 (Neutral) lead to the white fixture.
10. Connect Green or earth wire ground to the green wire.
11. Replace ballast cover (1C) with retaining screws (9D).
12. Install lamps (Not provided) using only those types specified on product label.
13. Replace lens (2B).
14. Reassemble endcap (1B) on each end.



Mounting Dimensions		
Fixture	A	B
2 Foot	24.75"	16"
4 Foot	48.75"	24"



All statements, technical information and recommendations contained herein are based on information and tests we believe to be reliable. The accuracy or completeness thereof are not guaranteed. In accordance with Crouse-Hinds "Terms and Conditions of Sale", and since conditions of use are outside our control, the purchaser should determine the suitability of the product for his intended use and assumes all risk and liability whatsoever in connection therewith.